

CC14MSY1-IO

14" CRT industrial chassis monitor



CRT 14" multiscan industrial châssis

- video input RGB analog /TTL
- multiscan 15-40 khz
- CGA, EGA, VGA compatible .
- Sync-on-green
- SIZE 14", 15", 17, 19", 20"

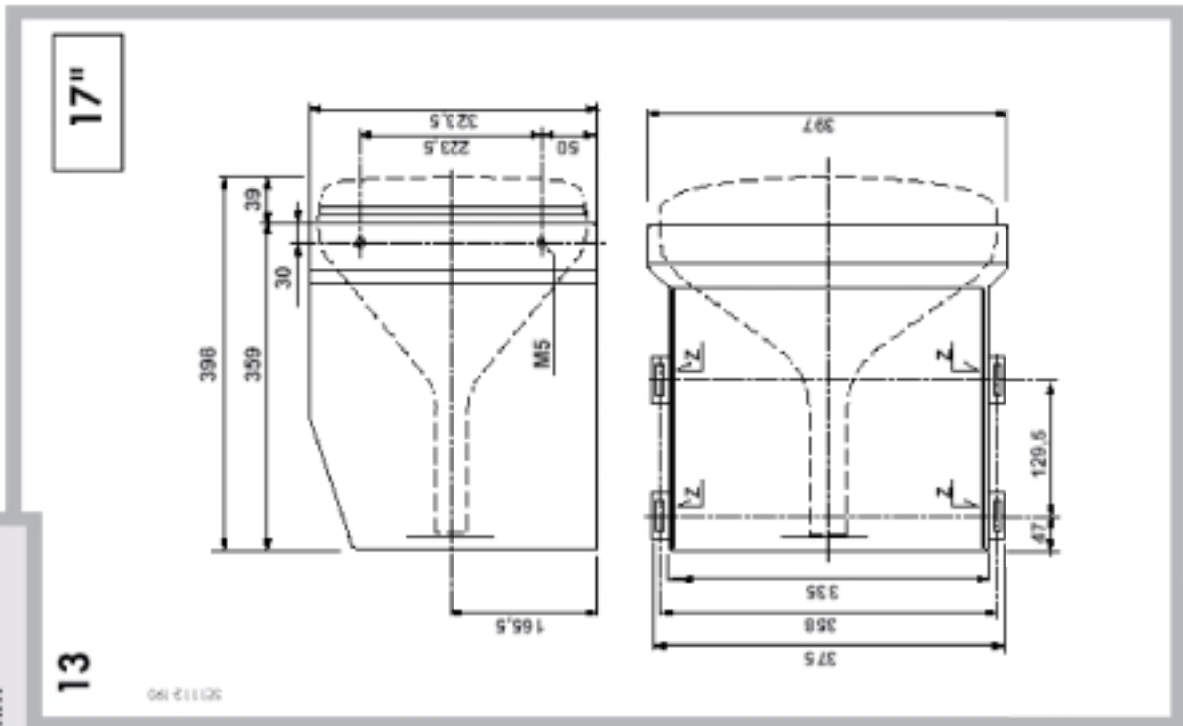
General Specifications

CRT Size	14"
Pixel Pitch	0,28 mm
Resolution	CGA, EGA, VGA, SVGA
Signal Connectors	HD15 (standard) - SUB-D15 5 x BNC DB9 HONDA 20 PIN (Fanuc) HI-LOCK 15 PIN (Mazak) Flat 10 / 16 PIN (Sinumerik) SCART (Télémécanique) 10 PIN (Marposs)
OSD	Digital OSD
Horizontal Scan	15 to 40 khz
Vertical Scan	40 to 100 hz
Operating Temperature	0 to 50° C
Storage Temperature	-20 to 60° C
CNC Monitors	FANUC, HEIDENHAIN, SIEMENS, NUM, FAGOR, SELCA, TELEMECANIQUE, GE-FANUC, ESA-GV, MARPOSS, MAHO, PHILIPS, HITACHI, SEIKI, etc..

CC14MSY1

14" CRT industrial chassis monitor

Tutte le quote sono in mm
All dimensions are in mm



	14"	15"
A	320,5 2	331 2
B	340	350
C	250,5 2	267 2
D	270	282
E	273,5	285,5
F	61 2	48 2
G	302	336
H	93	118
I	244	249
L	3,5	3,5
M	135	144
R	640	1200

